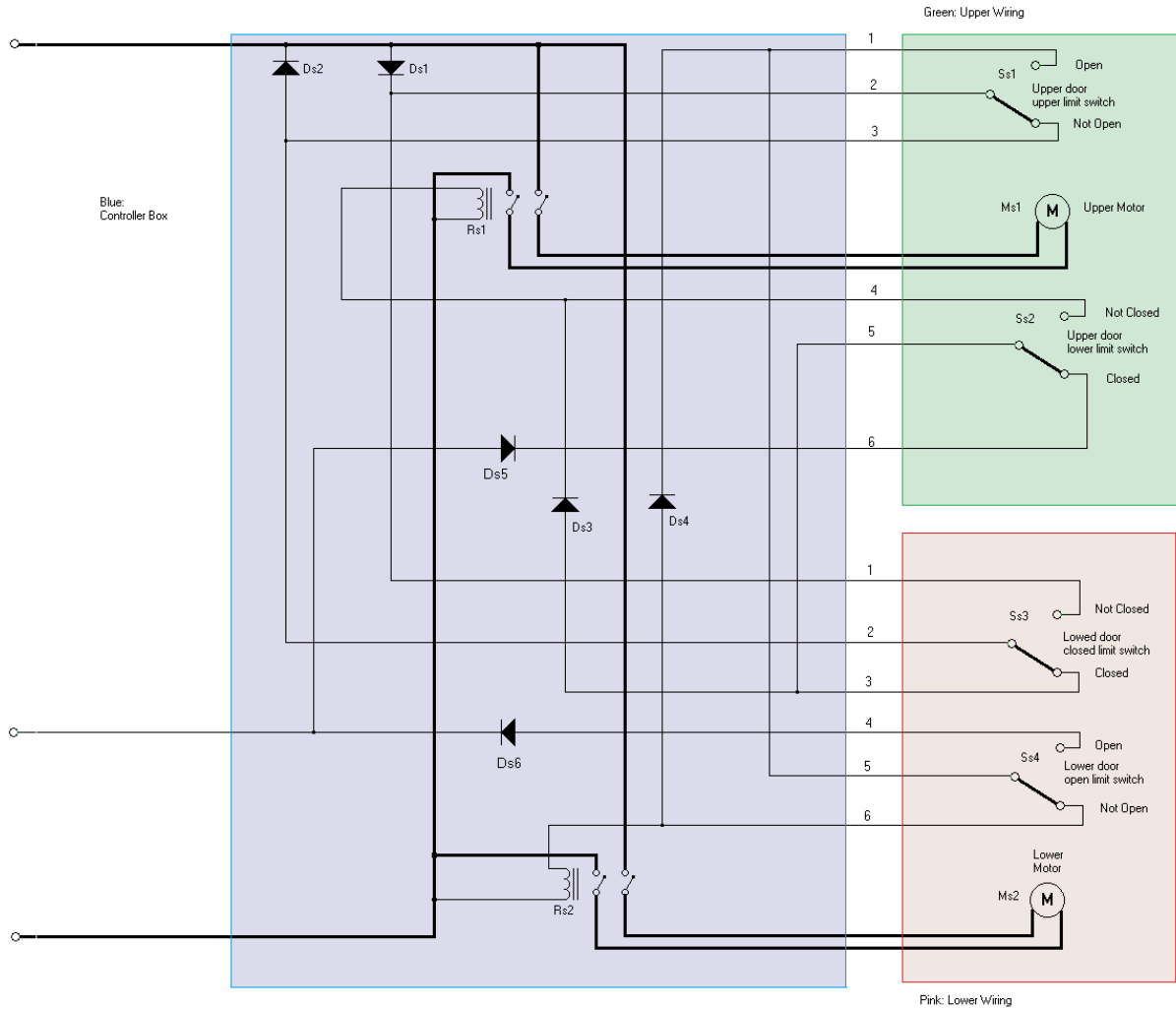


In-Dome Shutter Controller

Shutter In-Dome Controller



This controller is a stand-alone box mounted inside the rotating part of the dome. It connects to the main control unit via three contacts on the rotation ring. Two contacts carry power. The third returns a completion signal. The polarity of the power signal determines whether the shutter opens or closes.

Limit switches on the two shutters and diodes within the controller provide sequencing of the two doors, ensuring that the upper door is open before the lower door starts opening, and that the lower door is closed before the upper door starts closing.

The blue shaded area in the diagram shows parts and connections that are within the controller box. The green area shows parts and connections at the top of the dome. The pink shaded area shows parts and connections at the bottom of the dome.

Motor power is switched by two power relays, one for each motor. It is not necessary to provide directional control, since the incoming power's polarity is already switched to provide the correct polarity.

The polarity of the returned "finished" signal is the same as the polarity of the upper power connection in the diagram, relative to the lower power connection.